

Kidde Fire Systems Natura™ Inert Gas System Component Description



Effective: April 2022
K-38-2190 Rev AD

Pilot Line Bleed Valve

FEATURES

- For Approvals, see the “COMPATIBILITY” table.
- REACH and RoHS compliant

DESCRIPTION

Install a Pilot Line Bleed Valve (P/N 38-400007-001) in the unused actuation hose connection in the last cylinder of a cylinder bank. The bleed valve prevents a possible gradual pressure build-up in the pilot line should the solenoid release unit develop a leak, thus preventing an unintended system discharge.

The bleed valve includes a Quick Connect fitting for ease of installation and maintenance. The groove on the Festo connector provides additional grip surface when the connector is installed into the mated connection.

SPECIFICATIONS

Working Pressure: 8 bar (116 psi)

Nominal Dia.: DN 1

Closing Pressure: ≤ 4 bar (≤ 58 psi)

Body Material: Stainless Steel

Weight: 25g (0.05 lbs)

Temp Range:

FM Approved / UL Listed: -4° to 130°F (-20° to 54°C)*

*Unless superseded by local/national standards

ORDERING INFORMATION

Part Number	Description
38-400007-001	Pilot Line Bleed Valve

COMPATIBILITY

Series	DIOM P/N	Approvals*
Natura™ Inert Gas System	06-237619-001	FM, UL
Natura™ Inert Gas System	06-237598-001	LPCB

* For additional listings, contact Kidde Fire Systems



Figure 1. Pilot Line Bleed Valve

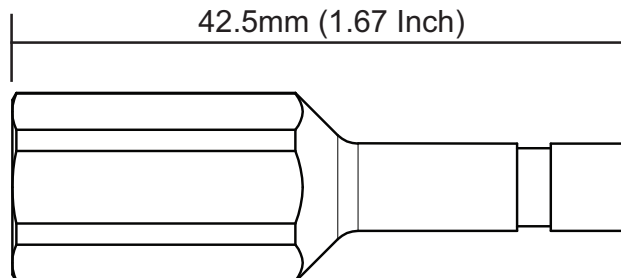


Figure 2. Pilot Line Bleed Valve Dimensions

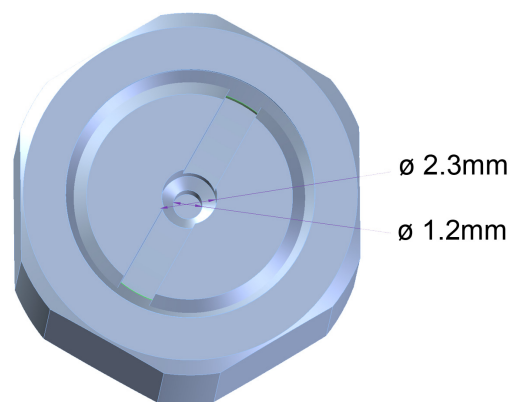


Figure 3. Vent Hole Location

This literature is provided for informational purposes only. KIDDE-FENWAL, INC. believes this data to be accurate, but it is published and presented without any guarantee or warranty whatsoever. KIDDE-FENWAL, INC. assumes no responsibility for the product's suitability for a particular application. Product features specified are only applicable when the fire suppression system is correctly designed, installed, maintained and serviced by trained, authorized Kidde Fire Systems distributors as per the applicable design, installation, operation, and maintenance manuals. If you need more information on this product, or if you have a particular problem or question, contact: KIDDE-FENWAL, INC., Ashland, MA 01721 USA, Telephone: (508) 881-2000.

EXPORT INFORMATION (USA)

Jurisdiction: EAR

Classification: EAR99

This document contains technical data subject to the EAR.

All trademarks are property of their respective owners.

©2022 Carrier

Kidde Fire Systems
400 Main Street
Ashland, MA 01721
Ph: 508.881.2000
Fax: 508.881.8920
kiddefiresystems.com